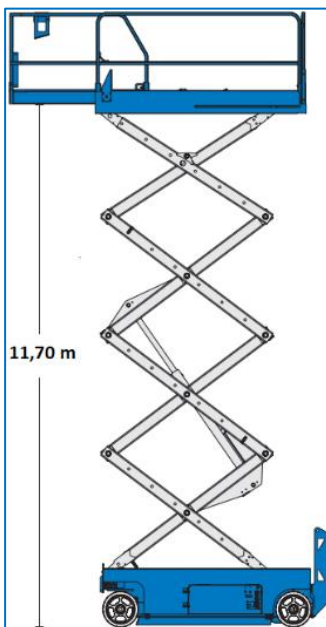




### Features

- Non Marking tyres
- Self Driving
- Compact design
- Mobile on full height
- Simple controls
- Electric propulsion
- Indoor use

## 14m Electric Scissors Aerial Platform Genie Type: GS-4047



### Technical Data

Maximum working height	13,70 m
Maximum lateral reach	n.a.
Maximum basket load	350 kg
Maximum stamp width	n.v.t.
Machine length	2,26 m
Machine width	1,16 m
Machine height	2,54 m
Total Weight	3260 kg
Dimensions basket (l x b)	2,26 x 1,16
Rotation basket	n.a.
Propulsion	Electronic
JIB	No
Tyre type	Non Marking

### MA-BO Hoogwerkers BV

 [www.ma-bo.info](http://www.ma-bo.info)

 0316-745613

 [planning@ma-bo.info](mailto:planning@ma-bo.info)

 Hengelderweg 8a, 6942 NC, Didam