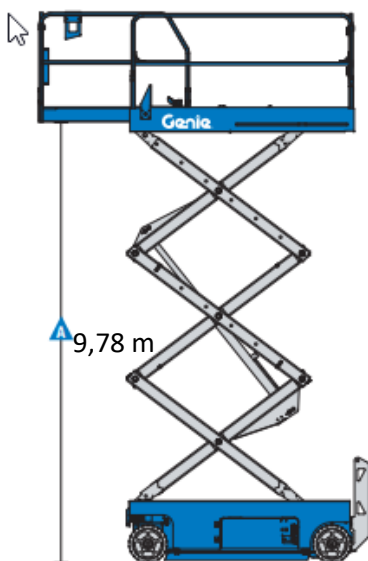




### Features

- Self Driving
- Compact design
- Mobile on full height
- Userfriendly
- Electric propulsion

## 12m Electric Scissor Aerial Platform Type: GS-3246



### Technical Data

Maximum working height	11,75 m
Maximum lateral reach	n.a.
Maximum basket load	318 kg
Maximum stamp width	n.a.
Machine length	2,26 m
Machine width	1,16 m
Machine height	2,39 m
Total weight	2364 kg
Dimensions basket (l x b)	3,18 x 1,16
Rotation basket	n.a.
Propulsion	Electric
JIB	no
Tyre Type	Non marking

### MA-BO Hoogwerkers BV

- 🌐 [www.ma-bo.info](http://www.ma-bo.info)
- ☎ 0316-745613
- ✉ [planning@ma-bo.info](mailto:planning@ma-bo.info)
- 📍 Hengelderweg 8a, 6942 NC, Didam