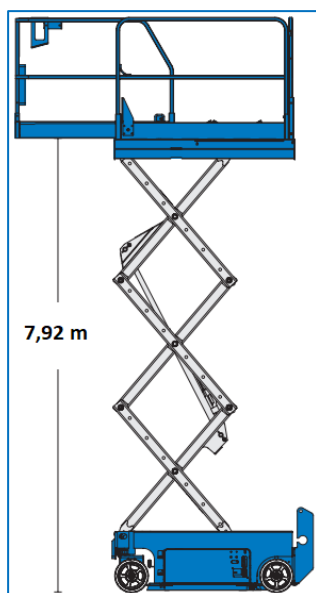




Features

- Self Driving
- Compact design
- Mobile on full height
- Userfriendly
- Electrical propulsion

10m Electric Scissor Aerial Platform Type: GS-2632



Technical Data

Maximum working height	9,92 m
Maximum Lateral reach	n.a.
Maximum Basket load	227 kg
Maximum stamp width	n.a.
Machine Length	2,44 m
Machine width	0,81 m
Machine height	2,26 m
Total Weight	1959 kg
Dimensions basket (l x b)	2,26 x 0,81
Rotation basket	n.a.
Propulsion	Electric
JIB	No
Tyre type	Non marking

MA-BO Hoogwerkers BV

- 🌐 www.ma-bo.info
- ☎ 0316-745613
- ✉ planning@ma-bo.info
- 📍 Hengelderweg 8a, 6942 NC, Didam