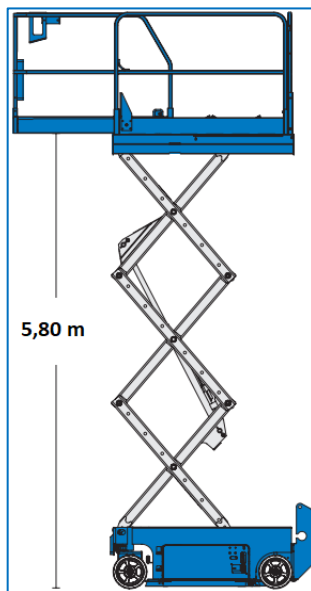




Features

- Self Driving
- Compact design
- Mobile on full height
- Userfriendly
- Electric propulsion





8m Electric Scissor Aerial Work Platform Type: GS-1932



Technical Data

Maximum working height	7,80 m
Maximum lateral reach	n.a.
Maximum basket load	227 kg
Maximum stamp width	n.a.
Machine length	2,72 m
Machine width	0,74 m
Machine height	2,10 m
Total weight	1503 kg
Rotation basket	n.a.
Propulsion	Electric
JIB	No
Tyre type	Tyre

MA-BO Hoogwerkers BV

-  www.ma-bo.info
-  0316-745613
-  planning@ma-bo.info
-  Hengelderweg 8a, 6942 NC, Didam