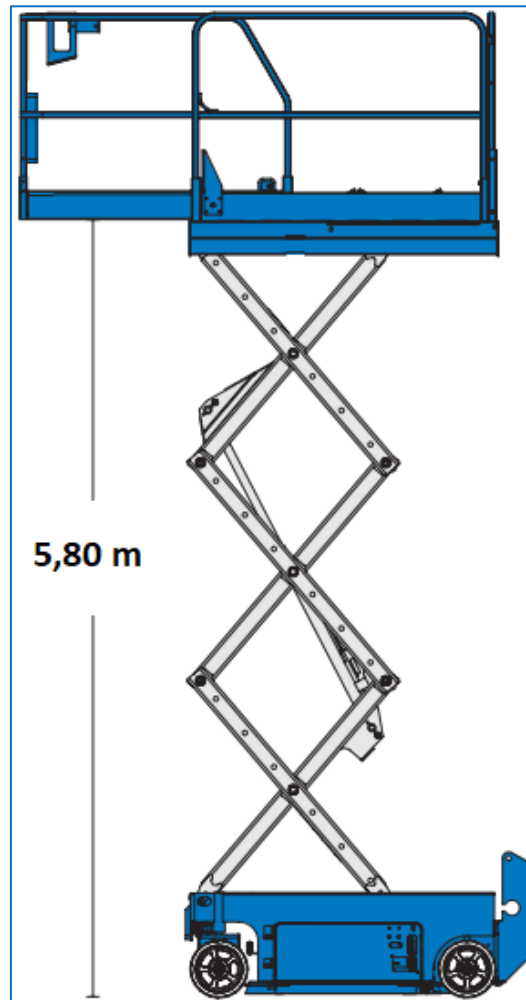


8m Electric Scissor Aerial Work Platform Type: GS-1932

Workdiagram (Siteview)



MA-BO Hoogwerkers BV

- www.ma-bo.info
- 0316-745613
- planning@ma-bo.info
- Hengelderweg 8a, 6942 NC, Didam